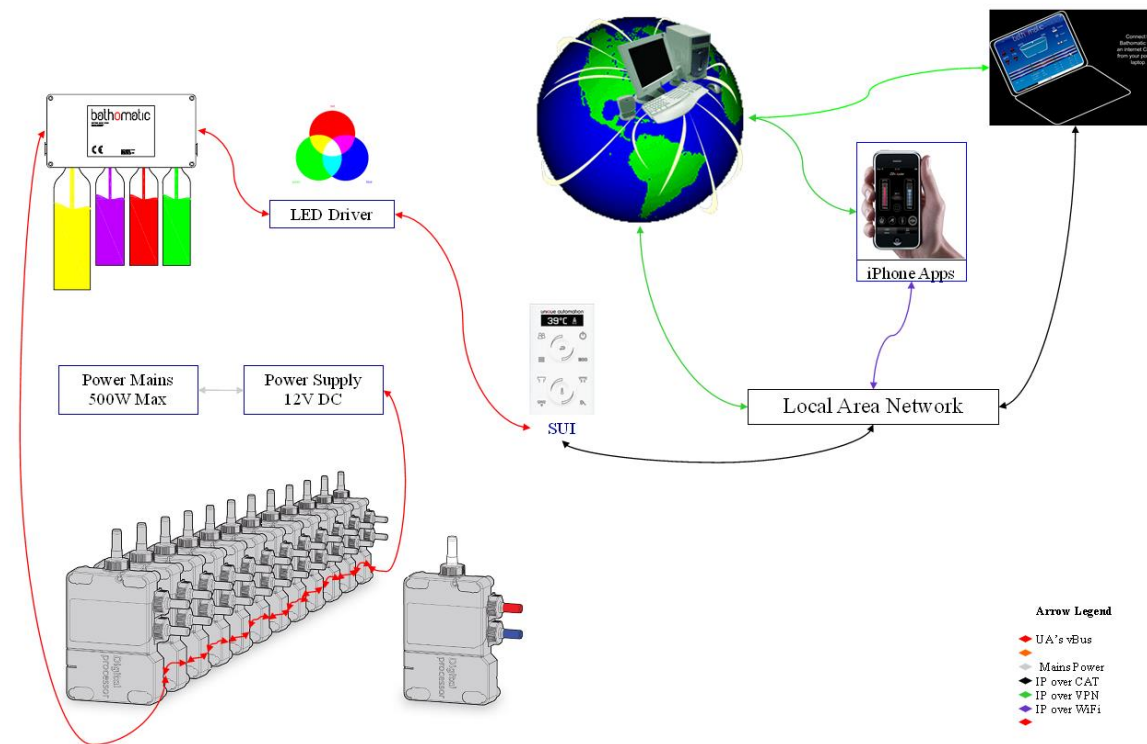


iShower

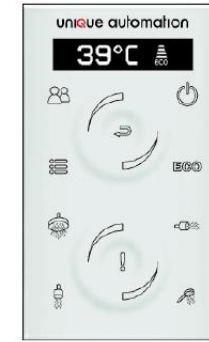
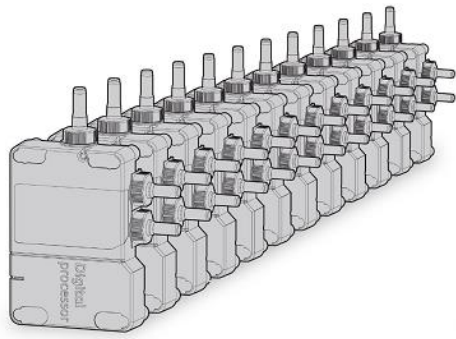
Installation manual



Contents

Kit content	3
Digital Water Mixer - BDM	4
iShower User Interface without LAN	5
iShower User Interface 2G with LAN	6
iShower User Interface 3G with LAN	7
Wiring / Connecting	8
iShower User Interface wall installation	9

Kit content



Digital Water Mixer (DWM) – pcs

2G back box – 1 pc

Shower User Interface (SUI) – 1 pc

Clear Silicone 50ml – 1 pc



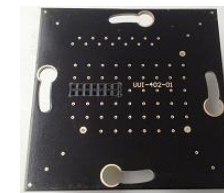
25mm PVC Grommet – pcs

RJ11/RJ45 Cable 3m – 1 pc

RJ11 Cable 1m – pcs

RJ45 Cable 3m – 2 pc

RJ45 Coupler – 1pc



PSU 12V DC/1A – 1pc

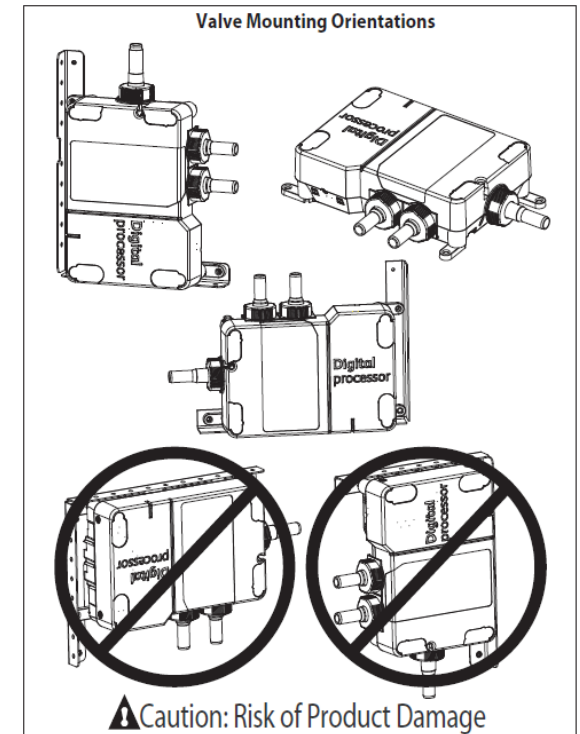
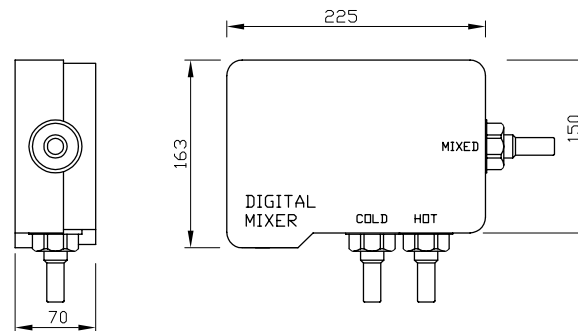
LAN Gateway– 1 pc

RJ11 +12V 1m – 1 pc

Digital Water Mixer - BDM

Up to 11 water mixers (BDM) can be connected on an iShower system. Every BDM has its own unique address and is assigned to a particular outlet during commissioning. No particular order needs to be followed when installing and re-assignment can be done at any time. Refer to document **“DWM MK2 Guide rev100.pdf”** for detailed installation instructions

BDM dimensions (mm)	W x H x D	225 x 163 x 70
BDM dimensions (inches)	W x H x D	8.86 x 6.42 x 2.76
Pipe Size:		15mm (1/2" USA)
Power Supply:		220-230V AC 50Hz (110V AC 60Hz USA)
Power Output:		20W
Performance:		12 l/min at 60psi (Standard flow rate) 37 l/min at 60psi (High flow rate)



Cabling:

Power:	Install via a fused spur in compliance with local regulations. The device is supplied with a flexible cable (terminated with a plug for USA)
Data:	Proprietary data cable daisy chained from one mixer to another (RJ11 Cable 1m)

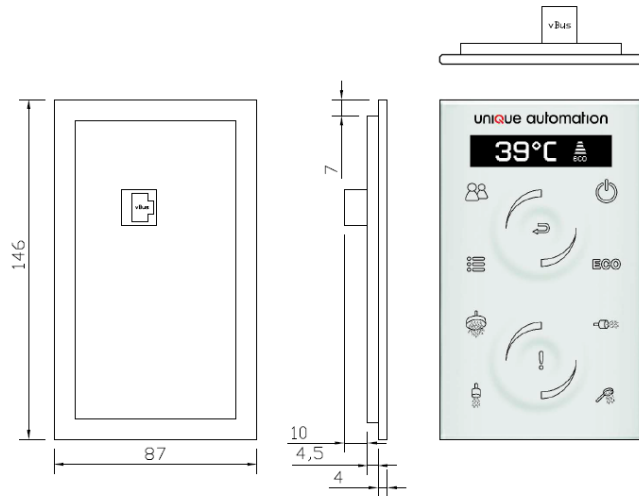
iShower User Interface without LAN

iShower 2G (2DI 2G) dimensions (mm) W x H x D

- Visible glass face: 87 x 145 x 4
- In-wall panel face: 70 x 132 x 4.5

Wall requirements (mm) W x H x D

- None
- Must be glued to a wall without back box with cut out: 70 x 132 x 20



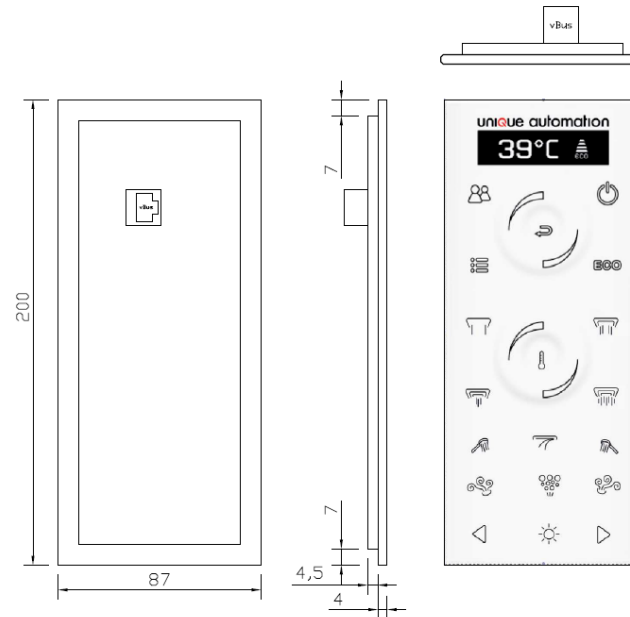
2DI 2G

iShower 3G (2DI 3G) dimensions (mm) W x H x D

- Visible glass face: 87 x 200 x 4
- In-wall panel face: 70 x 186 x 4.5

Wall requirements (mm) W x H x D

- None
- Must be glued to a wall without back box with cut out: 70 x 186 x 20



2DI 3G

Data:

CAT5 to BDM (previous page)

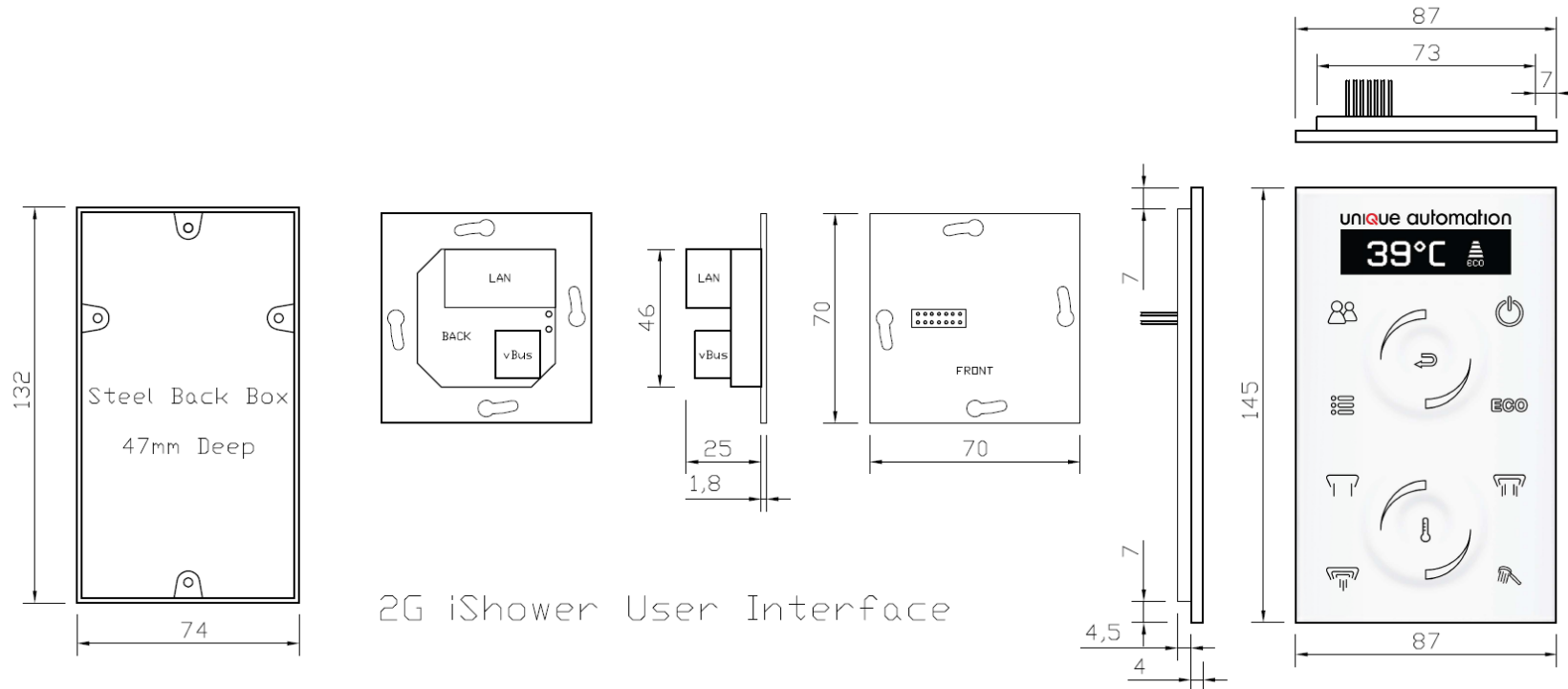
iShower User Interface 2G with LAN

iShower 2G (2DI 2GL) dimensions (mm) W x H x D

- Visible glass face: 87 x 145 x 4
- Back box: 74 x 132 x 45 (2G UK)

Wall requirements (mm) W x H x D

- None
- **Back box is to be installed 6mm in from the finished wall surface to allow flush installation**



2G iShower User Interface

2DI 2GL

Data:

CAT5 to BDM (previous page)
CAT5 to LAN

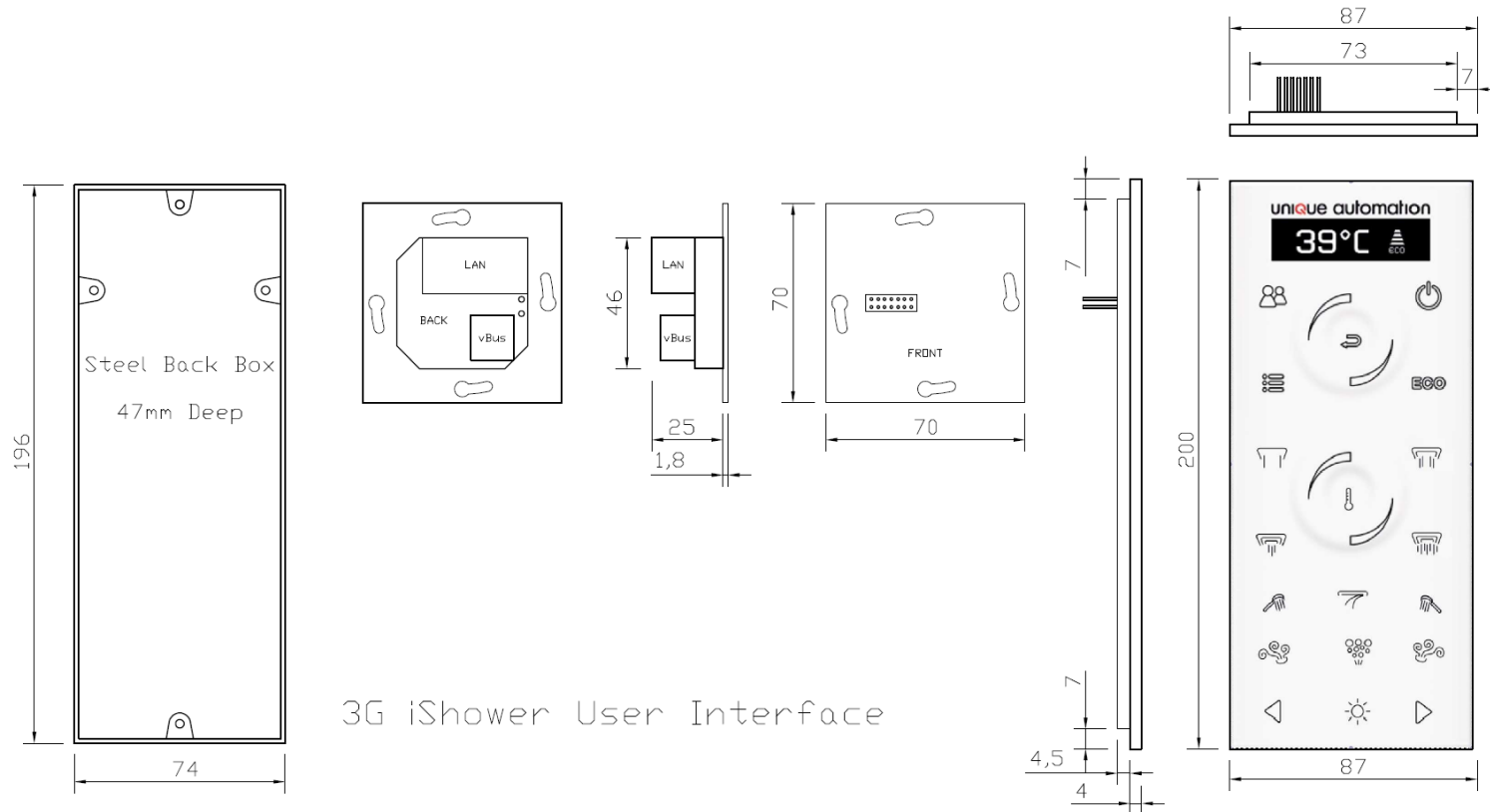
iShower User Interface 3G with LAN

iShower 3G (2DI 3GL) dimensions (mm) W x H x D

- Visible glass face: 87 x 145 x 4
- Back box: 74 x 132 x 45 (2G UK)

Wall requirements (mm) W x H x D

- None
- **Back box is to be installed 6mm in from the finished wall surface to allow flush installation**



3G iShower User Interface

2DI 3GL

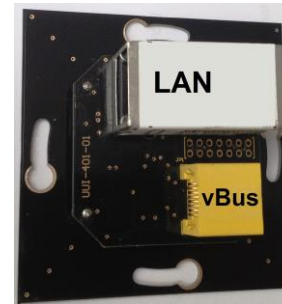
Data:

CAT5 to BDM (previous page)
CAT5 to LAN

Wiring / Connecting

All Components of the system need to be inter-connected. Typically the order is as follow:

Digital Water Mixer 1	→ RJ11 Cable →	Digital Water Mixer 2
Digital Water Mixer 2	→ RJ11 Cable →	
	→ RJ11 Cable →	Digital Water Mixer N (last mixer)
Digital Water Mixer N	→ RJ11 +12V →	iShower User Interface
Power Supply 12V, 1A		
iShower User Interface	→ Network Cable → cable not supplied	Local Area Network



LAN Gateway (seen from behind)

iShower User Interface wall installation

When using a back box please ensure there is a gap of 6mm between the finished wall surface and the metal back box



Attaching to the wall - Position the iShower user interface on the wall in its final position. **Test and ensure the system is working prior to the next few steps.** Disconnect power. Using masking tape apply around its edges and very close the edges of the glass. Apply a bead of clear silicon around the edges of the cut out and push the interface in place. Clear any excess silicon away from the glass using suitable tool. It is advisable to leave 1mm bed of silicon between the interface and the finished surface in case the interface would need to be removed

Unique Automation reserves the right to change this document, the product and its specifications at any time without prior notice.

unique automation

12 – 14 Orion Business Centre
Surrey Canal Road
London, SE14 5RT
United Kingdom

t: +44 (0) 20 7740 3910
f: +44 (0) 20 7232 0972
e: info@uniqueautomation.eu

www.uniqueautomation.eu