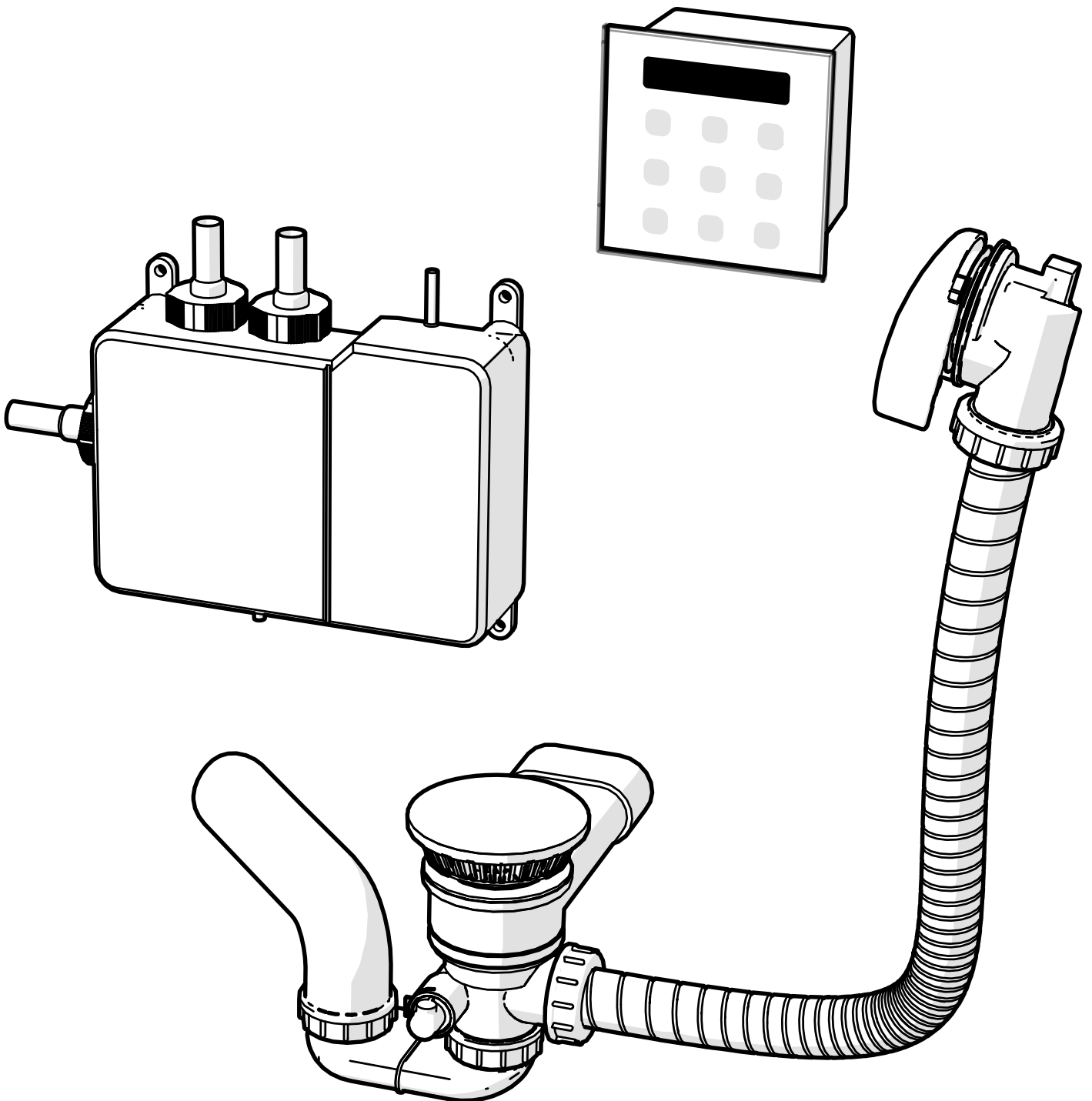


Bathomatic Basic

Installation Guide



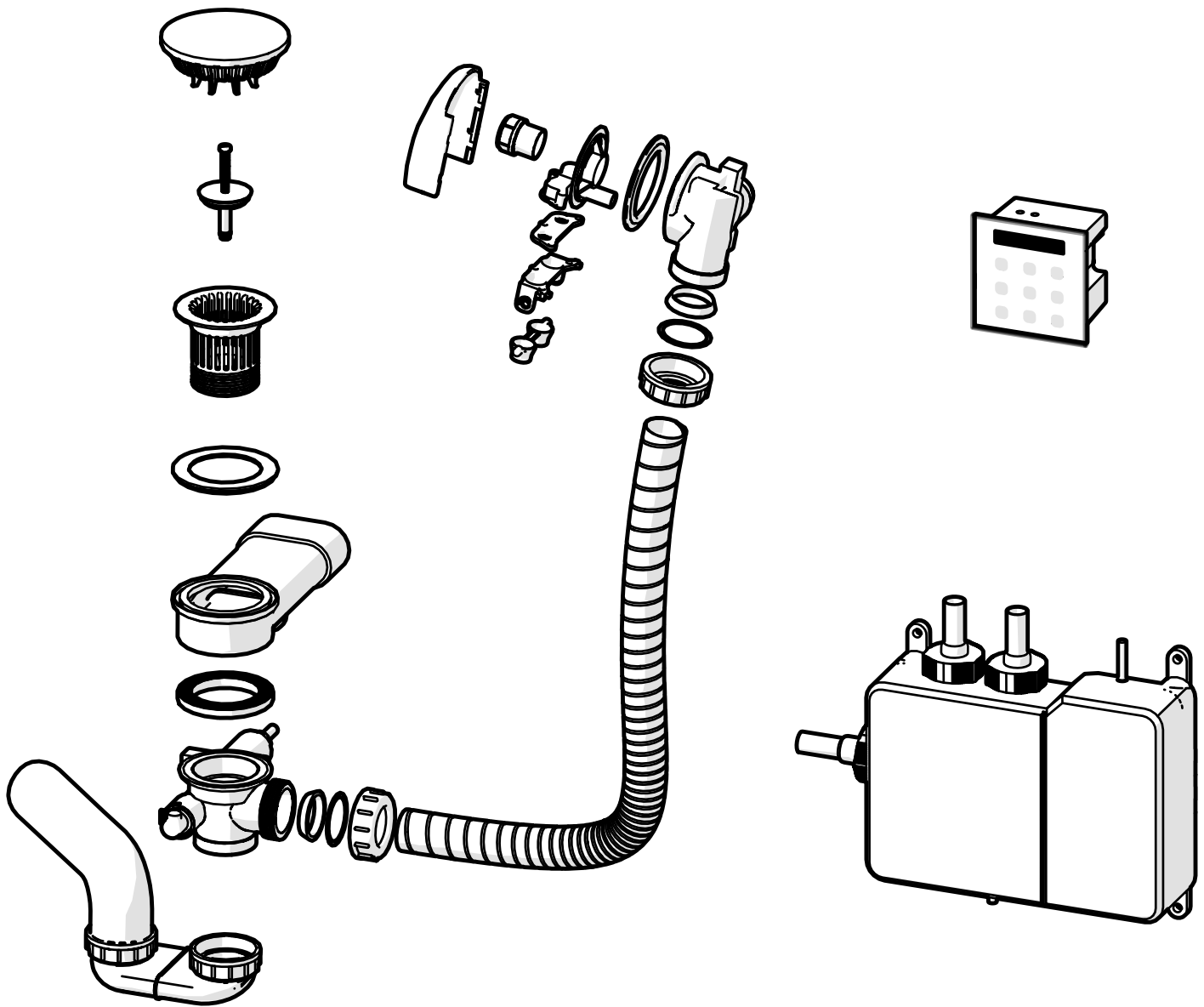
Introduction

Thank you for purchasing Bathomatic. This guide covers the installation of the mechanical and electrical components of Bathomatic. Please read the guide carefully and keep the booklet handy for future reference.

Contents

- Introduction.....2
- Parts Checklist..... 3
- Installation
 - Part 1: Mechanical Components..... 4
 - Part 2: Electrical Components.....10

Parts Checklist



Bathomatic Basic contains:

- Bathomatic Eco Drain and Overflow Assemblies
- Bathomatic User Interface Module
- Aqualisa Water Mixer

Installation

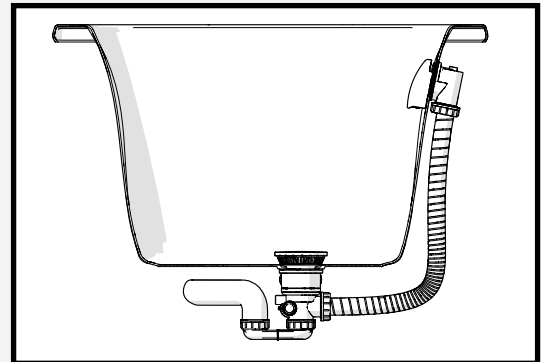
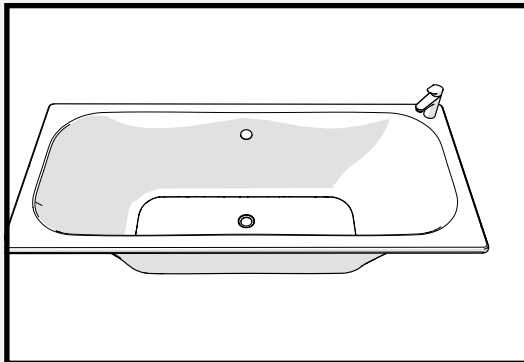
Part 1: Mechanical Components

Part 1 of the installation guide covers how to install the mechanical components that make up the bathomatic system.

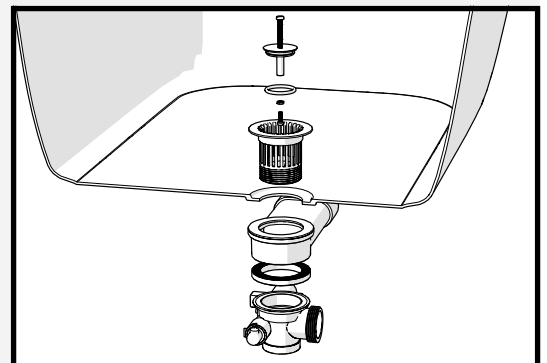
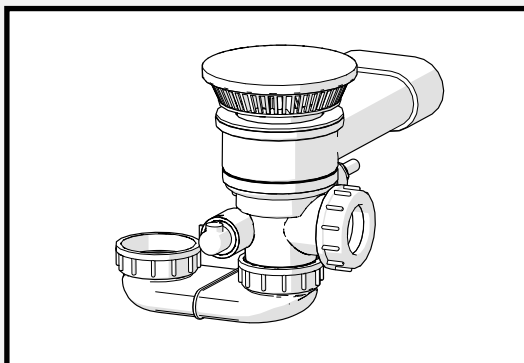
This section will guide you in assembling the motorised drain and overflow sub-units, and in connecting them via the drainage pipe.

The product may be installed in a loft space, under the bath or in a convenient cupboard space, providing there is enough room for maintenance. Note that installation must be conducted by designated, qualified and competent personnel.

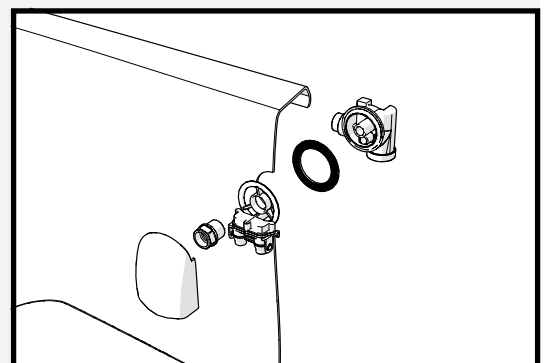
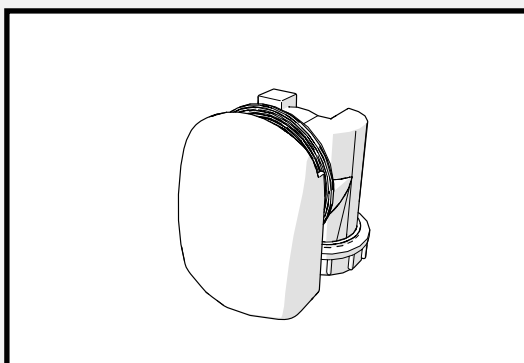
Assembled
mechanical
components



Drain sub-
unit

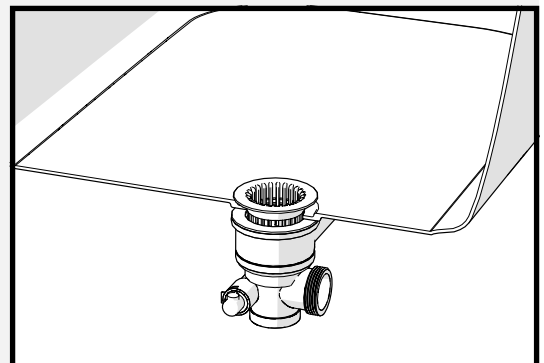
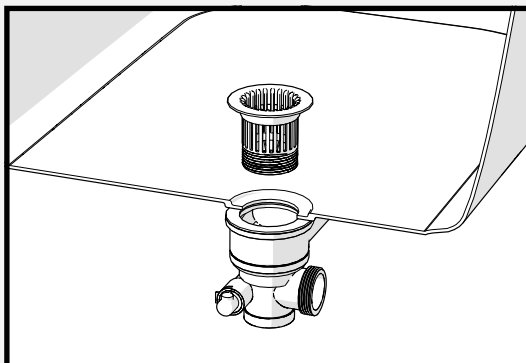
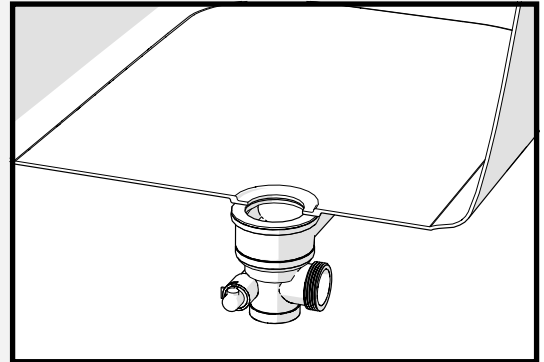
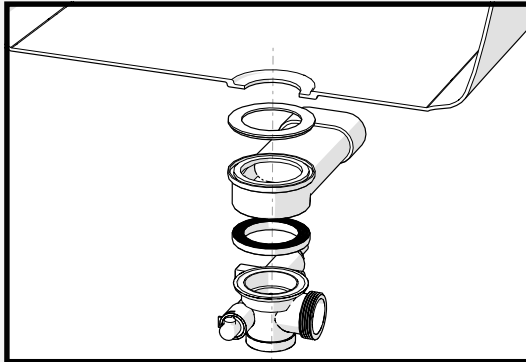


Overflow
sub-unit

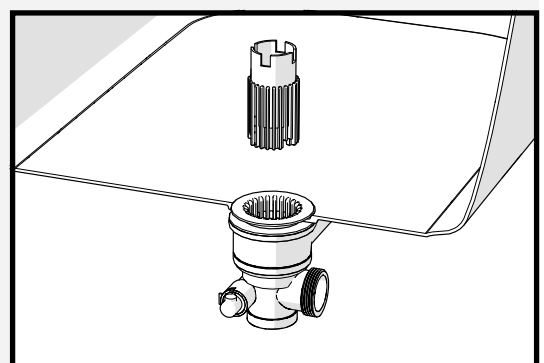
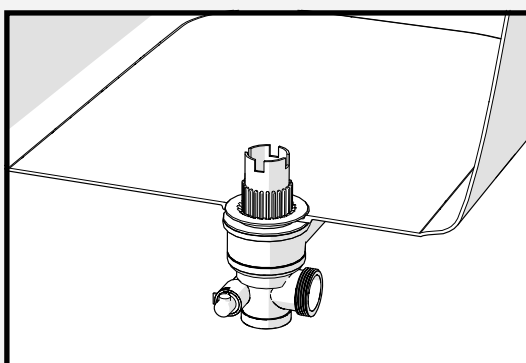
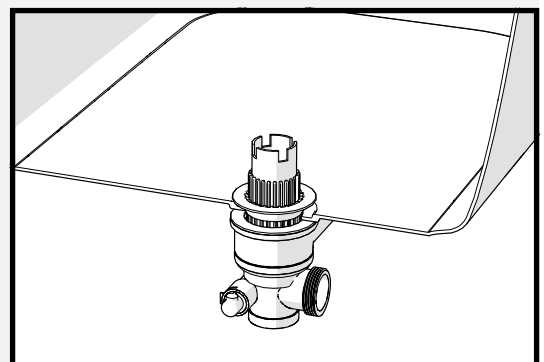
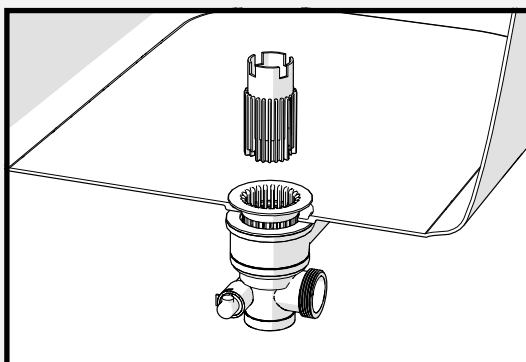


1

- Fit lower drain pieces together, and position the parts so they are each facing desirable directions. Note: The washer comes in different sizes to compensate for various bath thicknesses
- Insert strainer and screw in loosely.

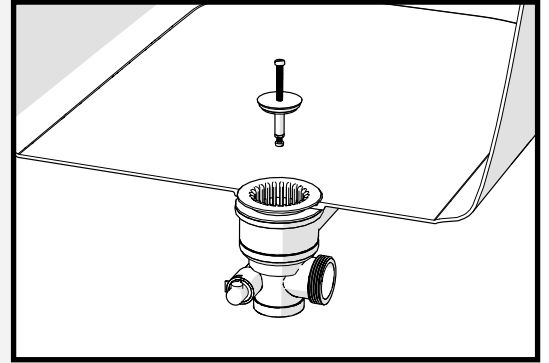
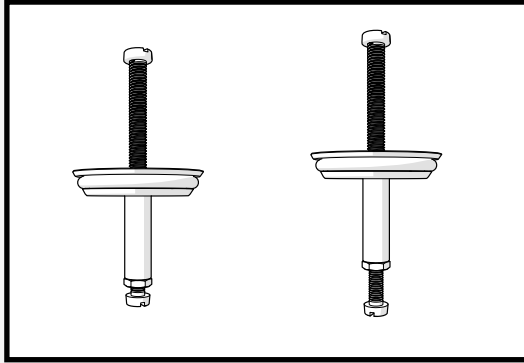
**2**

- Use the fixing tool provided to tighten the strainer
- Remove the fixing tool. Keep it handy for removing the drain at a later date.



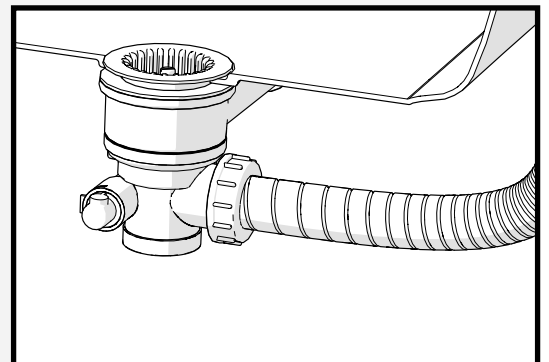
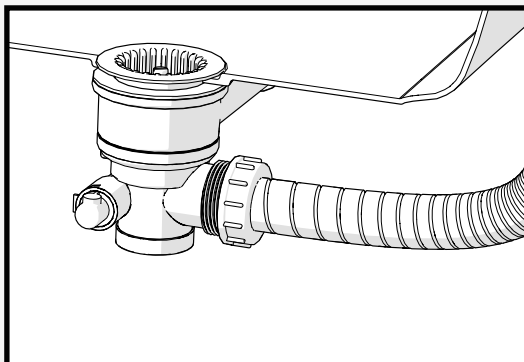
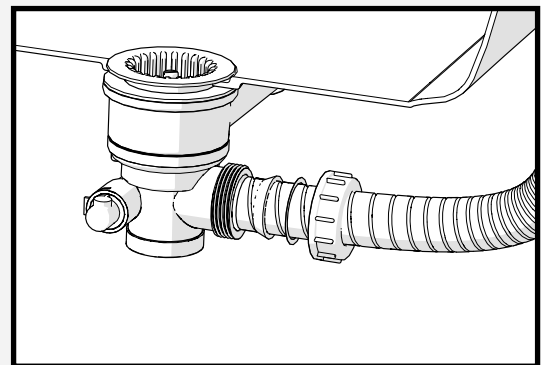
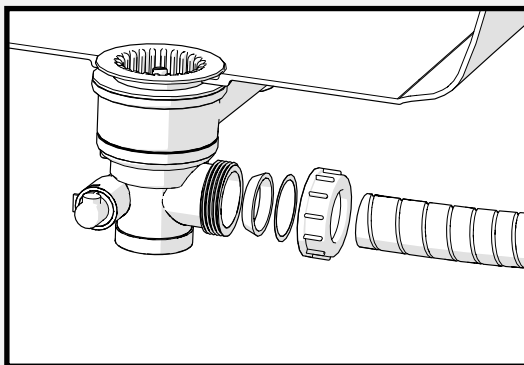
3

- The drain plug is shown below. The bottom screw can be adjusted depending on the thickness of your bath using the nut.
- Insert the drain plug into the top of the strainer.



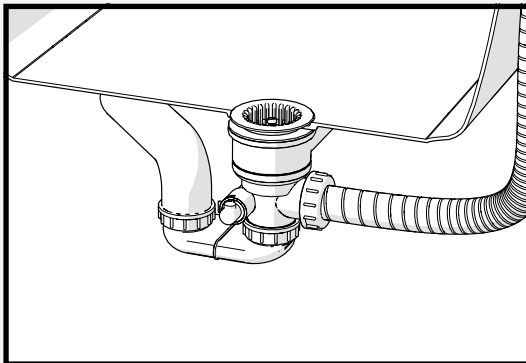
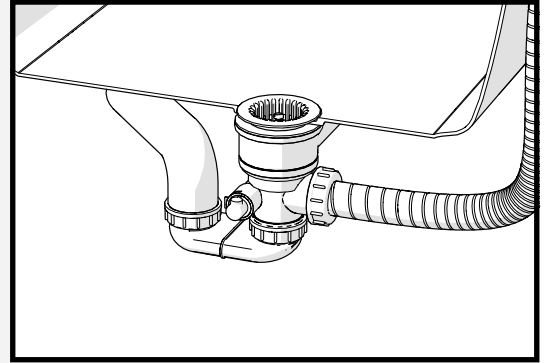
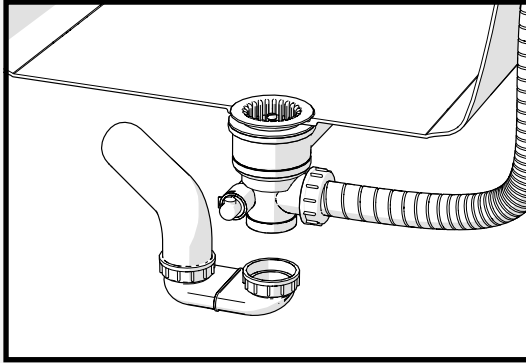
4

- Attach the overflow pipe to the drain body by first feeding one end through the flange, ring and seal as shown, ensuring the tapered end of the seal faces the drain body.
- Insert the pipe into the drain body and tighten the flange.



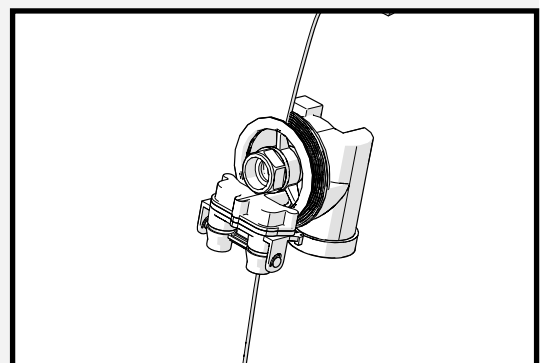
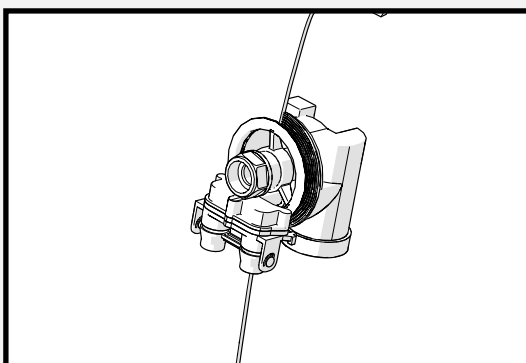
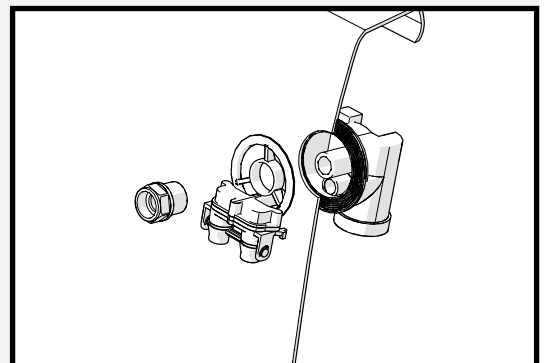
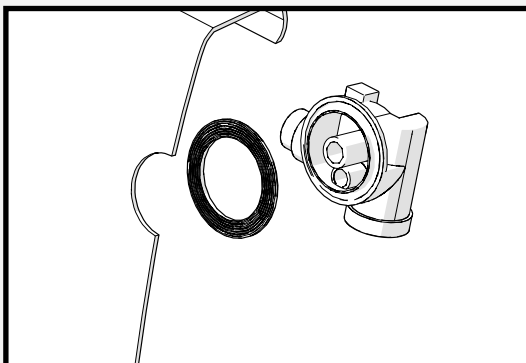
5

- Attach one side of the P-Trap to the drain body by tightening the flange on the P-trap over the bottom thread.
- Similarly, attach the other side of the P-Trap to the drain pipe.
- A shallow version is available if there is little space under the bath.



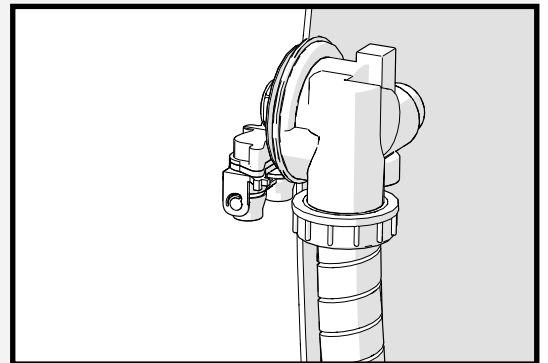
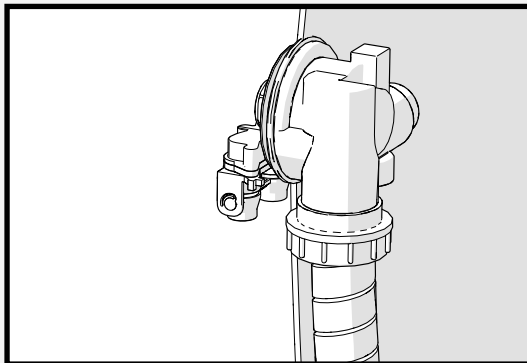
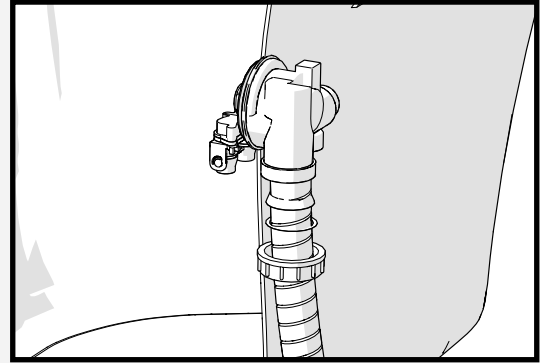
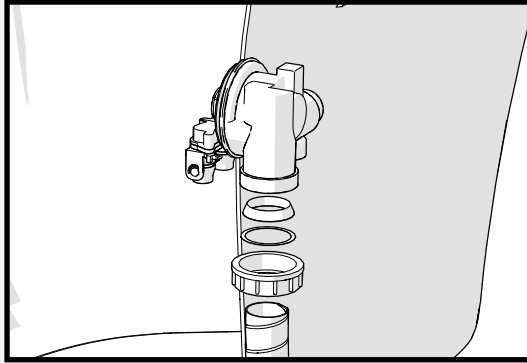
6

- Place the overflow body and seal at the back of the overflow hole. If the bath wall is thin, an additional seal may be required.
- Insert the outlet and the nut. Note: use moderate force when tightening the nut, as overtightening may cause a crack to develop.



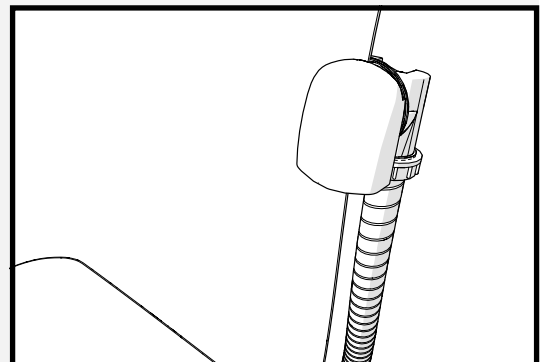
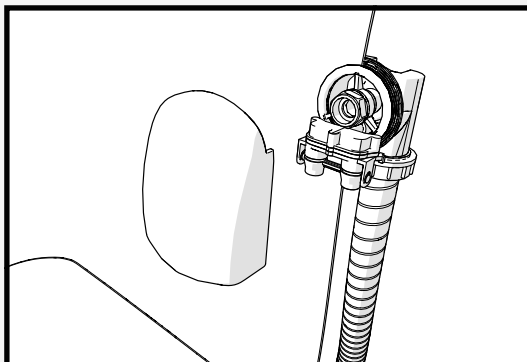
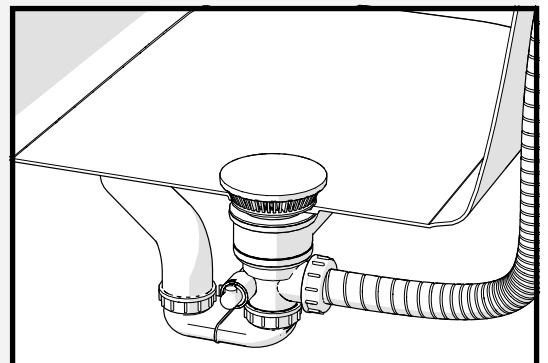
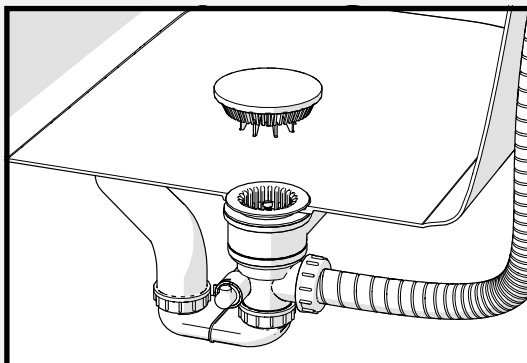
7

- Attach the other end of the overflow pipe to the overflow body as shown.



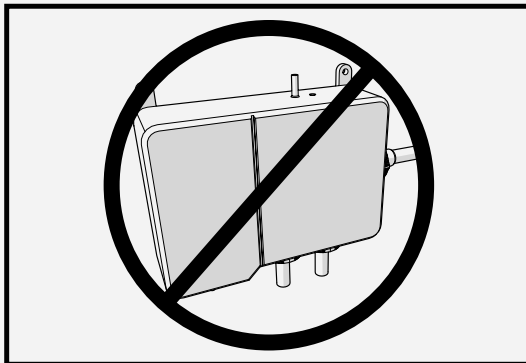
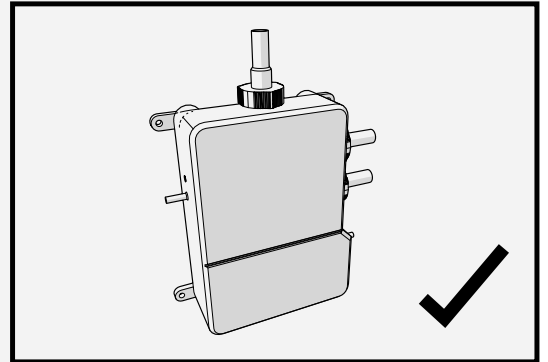
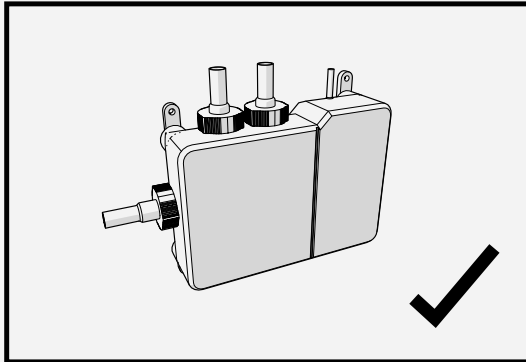
8

- Place the drain cover into the strainer and press down hard until it clicks. The cover can still be removed afterwards.
- Place the overflow cover onto the outlet.



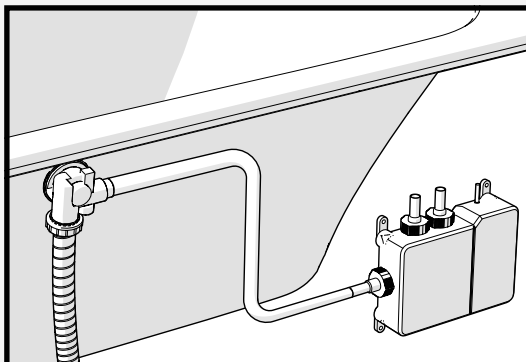
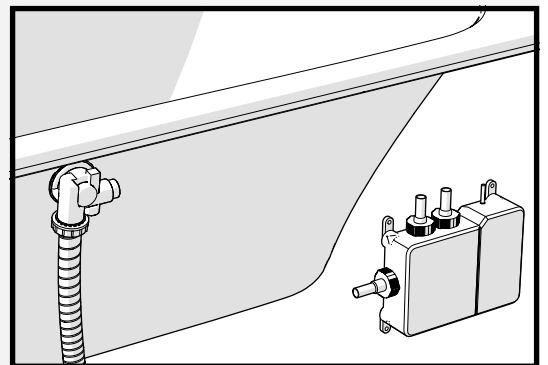
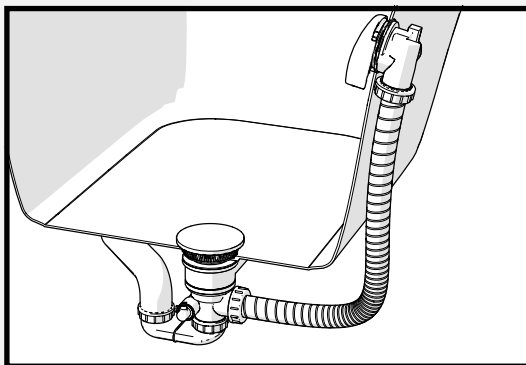
9

- Fasten the water mixer to the wall or floor with screws.
- Be aware that the unit must be installed in the correct orientation, so that no water pipes are facing downwards.



10

- Attach the outlet of the Aqualisa water mixer to the overflow body.



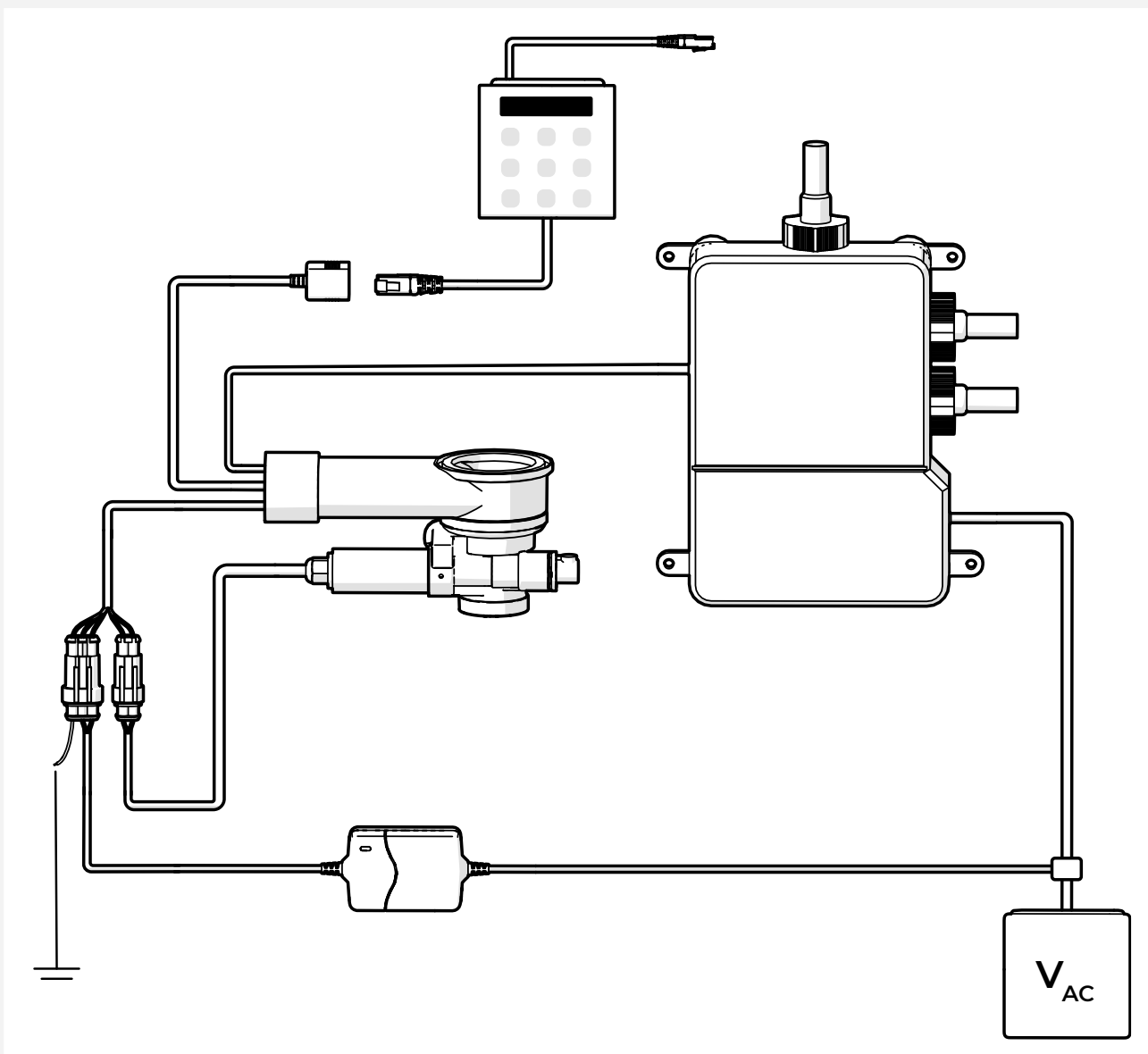
Installation

Part 2: Electronic Components

Part 2 of the guide covers the installation of the electronic components of the bathomatic system.

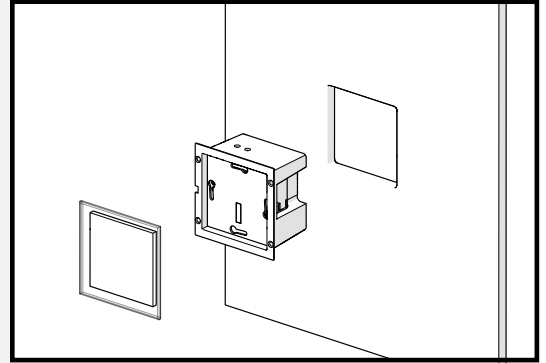
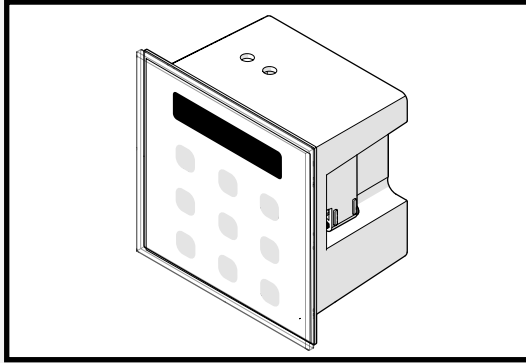
1

- Ensure that the wiring for the bathomatic system is attached as follows, and that the yellow-sheathed wire coming from the 3-pin junction is properly grounded.



2

- Before mounting the module, ensure that there are no nearby sources of heat such as radiators, hot water pipes and direct sunlight
- Ensure that the interface is not at risk of direct contact with water.



- Insert the box into a 75x75mm hole in drywall.
- Arrange the fixing wings and tighten their screw heads.
- Connect the module to the ethernet power cables.
- Insert the display into the box by aligning the connector pins.

